

PRODUCT SPECIFICATION

4.5ED

(Unit : mm)

4.5ED Dimensions

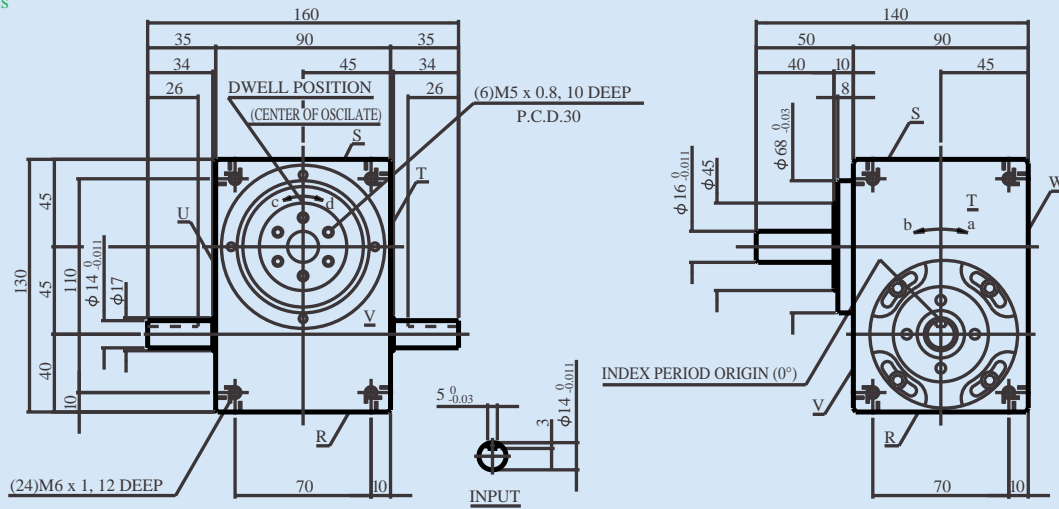


Figure 4.5ED-1

Dynamic-rated output torque (Top) at 50ipm(N·m)

Table 4.5ED-1

S	θ	90°	120°	150°	180°	210°	240°	270°	300°	330°
2								4.7	4.8	4.8
3					5.7	5.7	12.1	12.0	11.9	11.8
4					5.2	7.1	7.0	6.9	6.8	6.7
6		7.8	16.5	16.3	16.0	15.6	15.3	14.9	14.6	14.3
8		9.4	12.3	12.0	11.6	11.3	10.9	10.6	10.4	10.1
12			20.3	20.1	19.7	19.3	18.8	18.4	18.0	17.6

θ : Index period S: Number of Stops Note: Cam curve is SMS-3 curve.

Note:

- Torque limiter 6TF or 6TC available for 4.5ED
- Spacer required to mount torque limiter
- Output shaft available to shorten to 10mm height
- Geared motor (60W) is available for 4.5ED
- Rated output torque (Top) is a maximum continuous torque allowed based upon 12,000 hours of endurance life

6ED

(Unit : mm)

6ED Dimensions

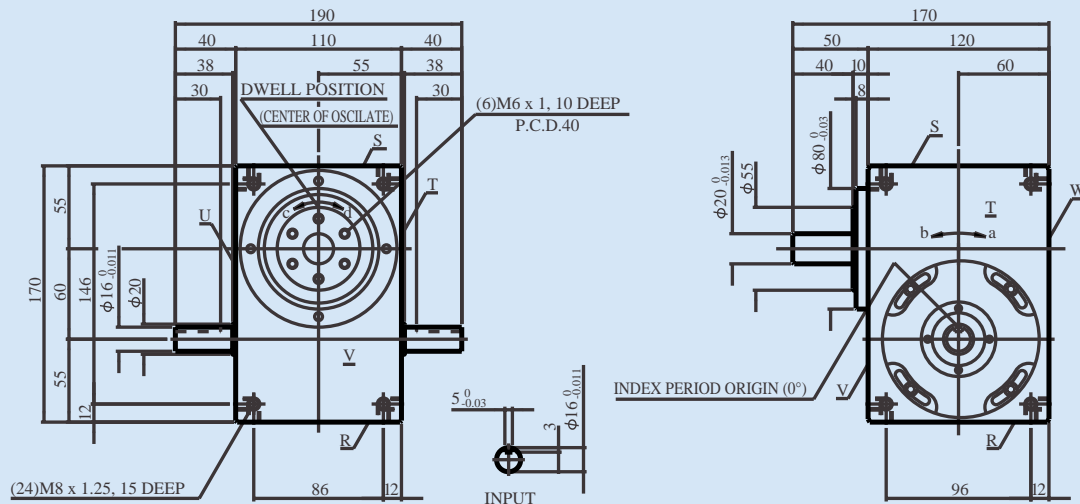


Figure 6ED-1

Dynamic-rated output torque (Top) at 50ipm(N·m)

Table 6ED-1

S	θ	90°	120°	150°	180°	210°	240°	270°	300°	330°
2								13.9	13.7	13.6
3					16.6	16.4	16.2	42.2	41.6	41.1
4				8.2	8.0	7.8	19.0	18.6	18.2	17.8
6		22.7	56.6	56.9	55.3	53.8	52.3	50.9	49.6	48.5
8		10.9	26.0	24.8	23.8	22.9	22.1	21.4	20.8	20.3
12		4.8	9.4	8.9	8.5	8.1	7.8	7.6	7.3	7.1

θ : Index period S: Number of Stops Note: Cam curve is SMS-3 curve.

Note:

- Torque limiter 6TF or 6TC available for 6ED
- Spacer required to mount torque limiter
- Output shaft available to shorten to 10mm height
- Geared motor (90W) is available for 6ED
- Rated output torque (Top) is a maximum continuous torque allowed based upon 12,000 hours of endurance life